

## FL3-IOT Module

### FL3-4G, FL3-2G



#### Products Overview

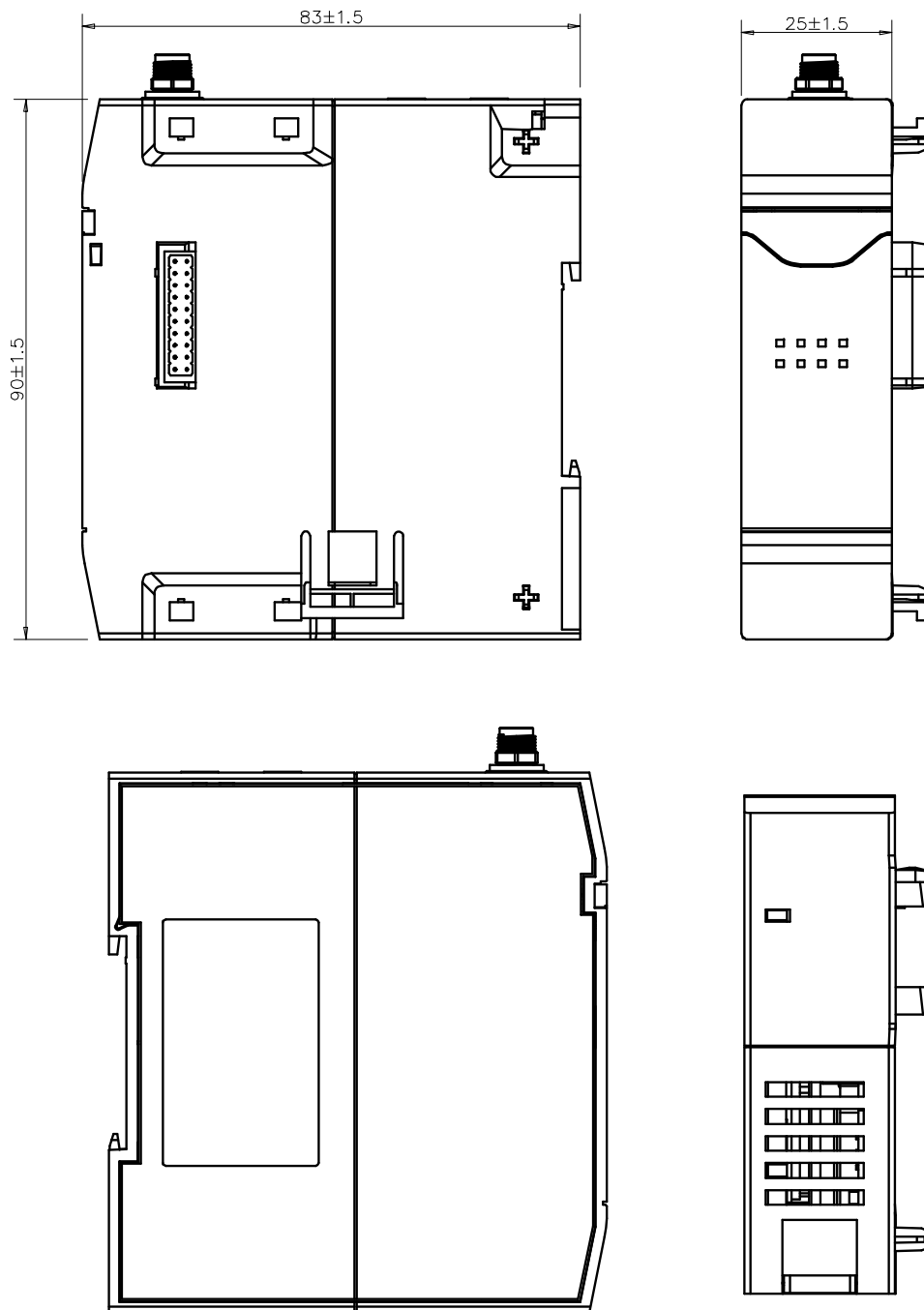
---

- FL3 series PLC special IOT module.
- It supports FlexCloud platform.
- It supports remote monitoring, testing, and PLC program downloading.
- Ethernet, 2G,4G.

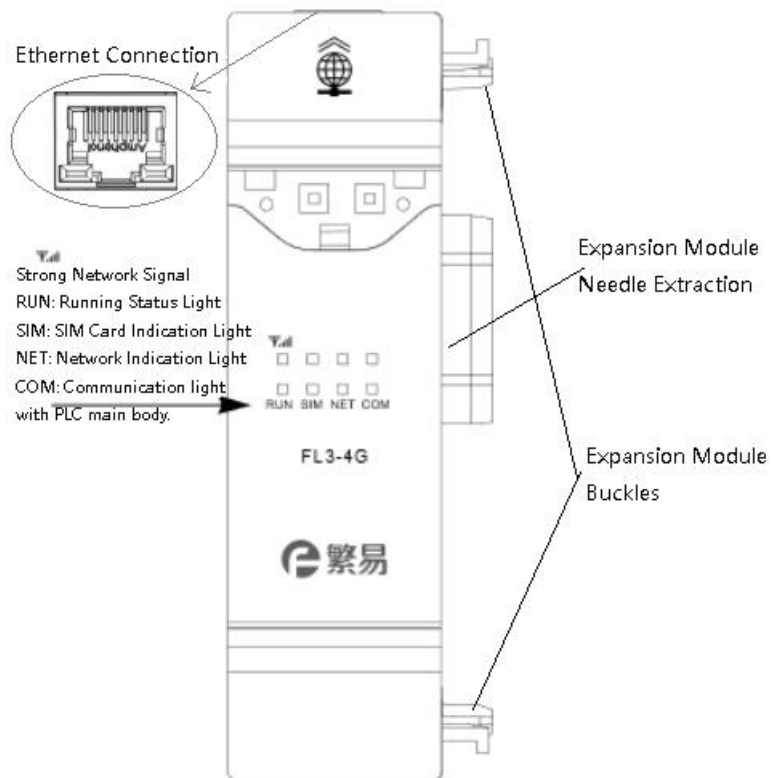
## Products Specifications

Model	FL3-4G	FL3-2G
CPU	300MHz ARM9	
Memory	128MB Flash+64MBBDDR3	
IO Ports	None	
Ethernet	1 line	
USB ports	None	
Communication Ports	Embedded expansion bus	
Ethernet Connection	(Mobile/Unicom) 2G (Mobile/Unicom) 3G (Mobile/Unicom/ Telecom)4G Ethernet	(Mobile/Unicom) 2G Ethernet
VPN Transmission	Unavailable	
General Transmission	Available	
API Connection	Available	
MQTT	Available	
Edge Computing	Unavailable	
Real-time data monitoring counts	200	
Alarming data counts	60	
Historical data counts	20	
Historical data storage time	60 days	
Rated Power	<5W	
Rated Voltage	DC24V,working range: DC9V~28V	
Power Protection	Protect from lightening and surging	
Power Loss Allowed	<3mS	
CE&RoHS	Confirms to EN61000-6-2;2005,EN61000-6-4:2007 standard, RoHS, lightening and surging±1KV, group pulse±2KV,Static Contact: 4KV, Air discharge: 8KV.	
Working Temperature	-10~60°C	
Storage temperature	-30~80°C	
Humidity	10~90%RH (Non-condensate)	
Anti-vibration	10~90%RH(The surface is without condensate)	
Cooling Way	Natural Cooling	
Mechanic Structure	Engineering PVC	
Dimension	25mm×90mm×83mm	

Size



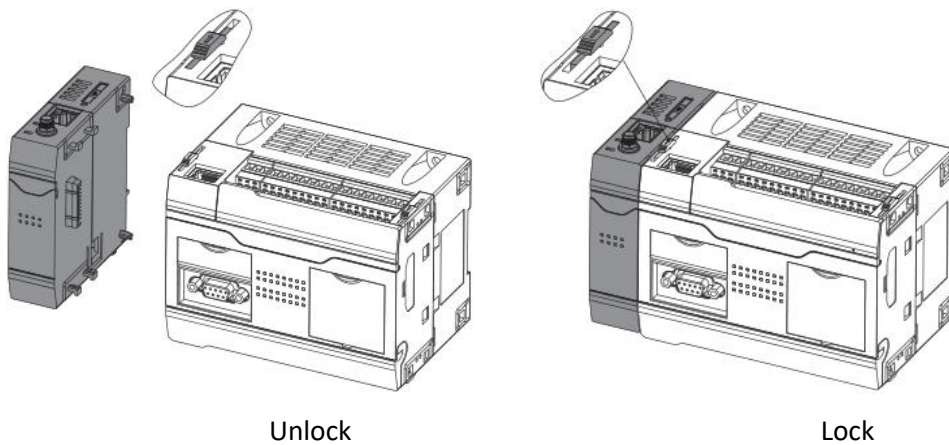
## Products Structure



## FL3-IOT Extension Module Installation

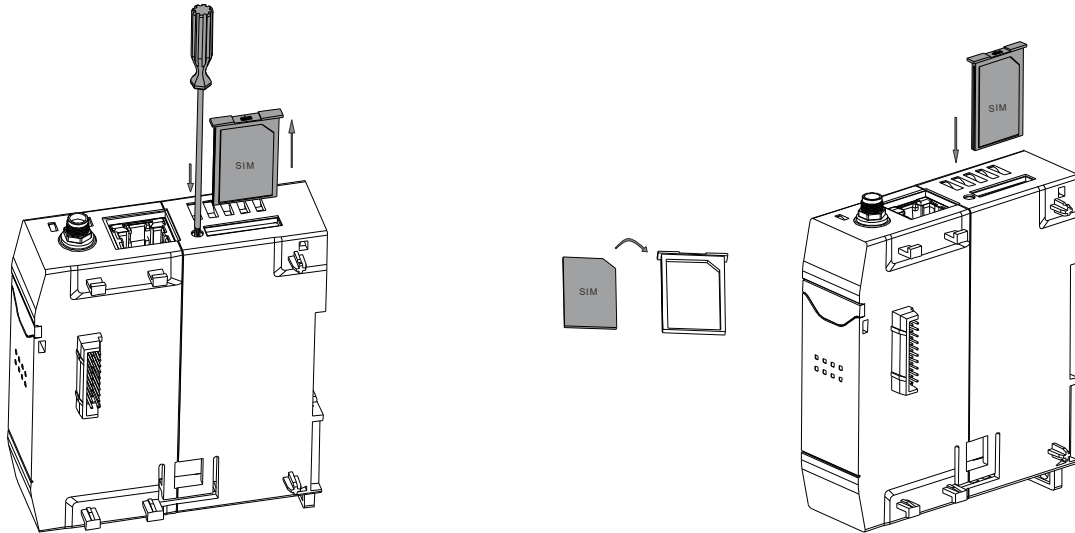
Installation steps:

1. Please unlock the PLC light unit as in the photos.
2. Put IOT expanding module to the main PLC, lock the PLC extension module by push the buckles reversely.



## SIM Card Installation

1. Press SIM card slot dot socket and take out SIM card by using screws or other piercing tools.  
(1) Install SIM card onto the card, and insert it to SIM card slot.



**Contact us**

---

**Shanghai (R&D Center)**

Address: Floor 11, INNO center,  
No 298 Guoxia road,  
Yangpu district,  
Shanghai, 200043

Telephone: +86-21-68683993

Fax: +86-21-65107569

**Suzhou**

Address: Room 915, Ricky Building,  
No.668, Yuting Avenue,  
Suzhou Industrial Park

Telephone: +86-512-69833996

**Shenzhen (Factory)**

Address: 5th Floor, NO.2 Building,  
Lanyun Science Park, Tangtou  
Road, Shiyan Town, Baoan  
District, Shenzhen, China

Telephone: +86-755-27610682

Fax: +86-755-27629895

**Wuxi**

Address: Room 1603, Taihu  
Mingzhu Development  
Building, No. 1890 Taihu  
West Road, Binhu  
District, Wuxi City

Telephone: +86-18505101982

**Beijing**

Address: Room 2008, Building 1, No. 93  
Jianguo Road, Chaoyang  
District, Beijing (Wanda Plaza)

Telephone: +86-10-58204608

Fax: +86-10-58204608

**Hangzhou**

Address: Room 1005, Building 6,  
Dongsha Mingcheng, No.  
159, Tiancheng East  
Road, Xiasha  
Development Zone,  
Hangzhou